

PRODUCT INFORMATION PACKET

Model No: 5KH32GNB815X
Catalog No: H712
1/3,1725/1425,DP,48Y,1/60/100-120/200-240
Carbonator Pump



Regal and Marathon are trademarks of Regal Beloit Corporation or one of its affiliated companies.
©2018 Regal Beloit Corporation, All Rights Reserved. MC017097E



Product Information Packet: Model No: 5KH32GNB815X, Catalog No:H712 1/3,1725/1425,DP,48Y,1/60/100-120/200-240

Nameplate Specifications

Output HP	1/3 Hp	Output KW	0.25 kW
Frequency	60 Hz	Voltage	100-120/200-240 V
Current	5.5-5.6,2.7-2.8 A	Speed	1725/1425 rpm
Service Factor	1	Phase	1
Efficiency	63.7 %	Duty	Continuous
Insulation Class	B	KVA Code	L
Frame	48Y	Enclosure	Drip Proof
Overload Protector	AUTO	Ambient Temperature	40 °C
Drive End Bearing Size	6203	Opp Drive End Bearing Size	6203
UL	Recognized	CSA	Yes
CE	N		

Technical Specifications

Electrical Type	Split Phase	Starting Method	SM
Poles	4	Rotation	Counterclockwise/Clockwise
Mounting	Rigid Base	Motor Orientation	ANY
Drive End Bearing	BALL	Opp Drive End Bearing	BALL
Frame Material	Rolled Steel	Overall Length	9.38 in
Frame Length	5.16 in	Shaft Diameter	0.63 in
Shaft Extension	1.5 in		
Outline Drawing	52A111747P1	Connection Diagram	52A105383AA

This is an uncontrolled document once printed or downloaded and is subject to change without notice. Date Created: 10/08/2018

THIRD ANGLE PROJECTION

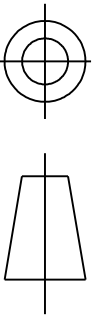
REVISIONS

REV.

DESCRIPTION

DATE

APPROVED

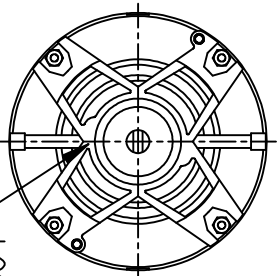


SHEET 1

REV 0

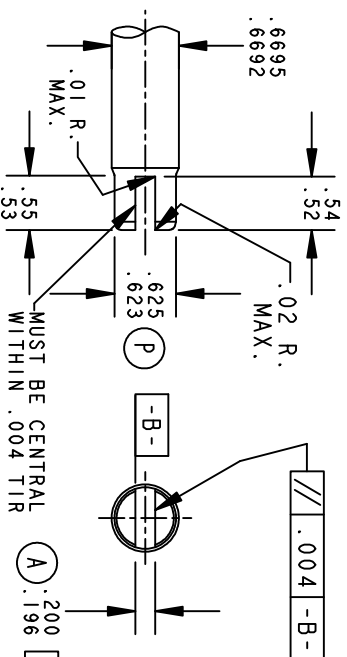
52A111747

SIZE DRAWING NO. A

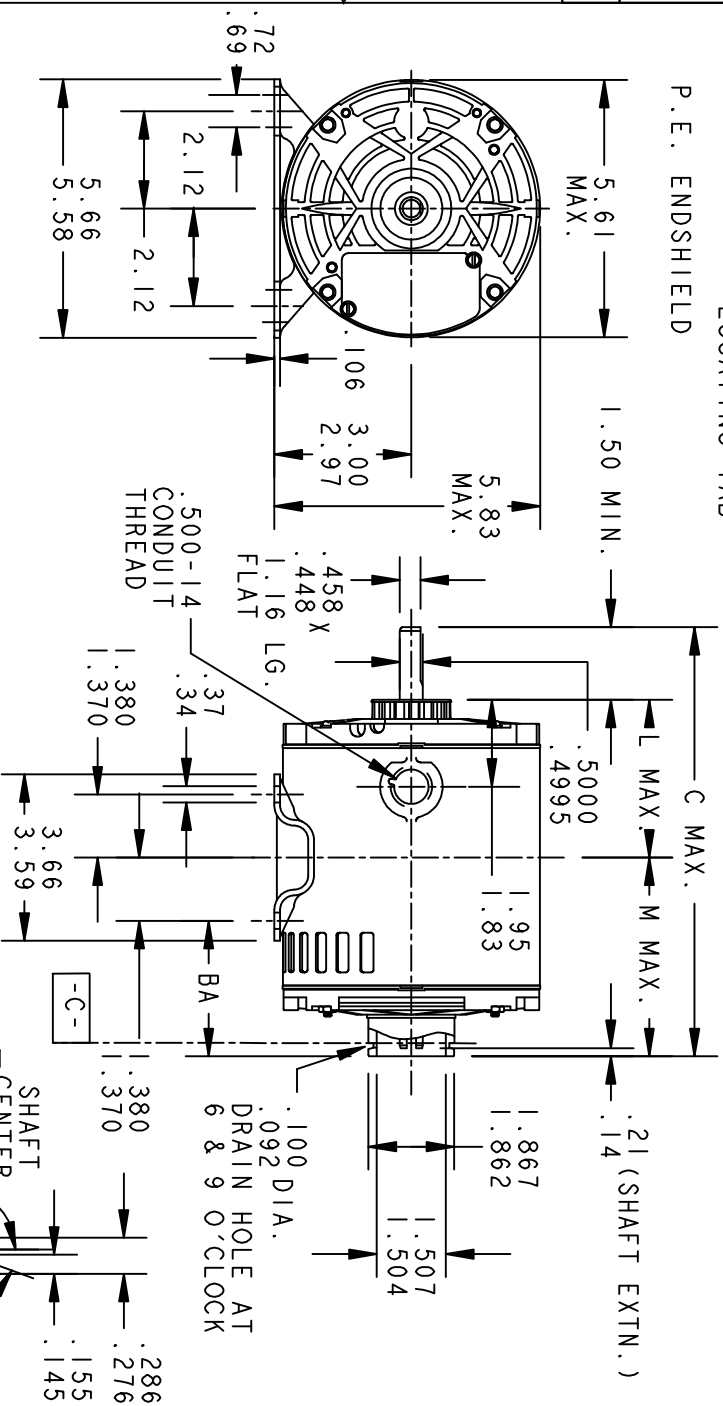


LOCATING TAB

P. E. ENDSHIELD



CONTROL SURFACES & DIMENSIONS
 (P) PROC.
 (E) ENG.
 (A) APPL.
 (R) REG.



I	KH	32	48Y	9.38	3.48	4.26	2.88/2.84	1.50
P	TYPE	GE	NEMA FR	C	L	M	BA	N
	SIZE							

REGAL-BELOIT CORPORATION

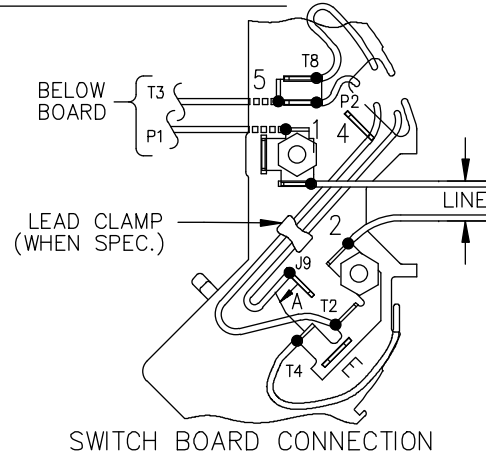
OUTLINE

CARBONATOR PUMP - DRIP PROOF - WELDED BASE - BALL BEARING

FOR ADDITIONAL INFO REFER TO:	DETAIL	MODEL	SIGNATURES	DATE
APPLIED PRACTICES	CHECKED	MADHU		06/13/06
DIMENSIONS ARE IN INCHES	ENGRG			
	ISSUED	PRAVEN.K		06/13/06
MATERIAL	SOLID MODEL:	52A111747		

SCALE: 1.000	REF. No.:	
SIZE DRAWING A		
52A111747		
REV 0		
SHEET 1 of 1		

EITHER ROTATION, DUAL VOLTAGE, TYPE KC OR KH, WITH THERMAL PROTECTION



NOTE #1 - START CAP & J9 WHEN SPECIFIED (*). IF NO CAPACITOR (KH), CONNECT T5 DIRECTLY TO SWITCH (A). WHEN MORE THAN ONE CAPACITOR IS USED, CONNECT IN PARALLEL.

NOTE #2 - TO REVERSE ROTATION, INTER CHANGE RD(T8) AND BLK(J9-KC OR T5-KH) LEADS.

SWITCH REF. - 115D958AB	CONNECTION LABEL	CCW ROTATION: NP52X332051AA
		CW ROTATION: NP52X332051AC

NO.	REVISION	BY & DATE	CHK	TOLERANCES UNLESS SPECIFIED		FINISH	DRAWN	M.D.P	DATE			
				DEC.	INCHES							
				.X	±0.1				06/29/87			
				.XX	±0.02							
5	ADDED CONNECTION LABEL PER ECO-0030779	UD 02/06/13	PKG	.XXX	±0.005							
4	UPDATED PER ISO7-0150	MD 01/23/07		.XXXX	±0.0005	MAT'L.						
				ANG	±1.0							
THIS DRAWING IN DESIGN AND DETAIL IS OUR PROPERTY AND MUST NOT BE USED EXCEPT IN CONNECTION WITH OUR WORK. ALL RIGHTS OF DESIGN AND INVENTION ARE RESERVED. THIS IS AN ELECTRONICALLY GENERATED DOCUMENT - DO NOT SCALE THIS PRINT							RFP	CAD FILE	52A105383AA	SIZE	DRAWING NO.	REV.
							DIST			A	52A105383AA	5



TITLE CONNECTION DIAGRAM
30 FRAME SWITCH REDESIGN